

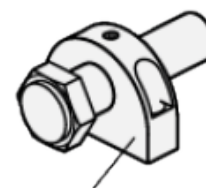
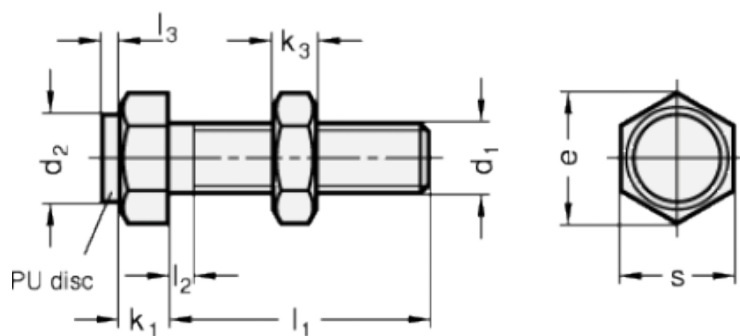
Article number: 20251M1650AK  
 Description: E+G Setting bolt GN 251-M16-50-AK  
 with nut

## Measures

Type AK



Type BK



Mounting block GN 412.1

d	= M16	s = 24
e	= 27.7	
K	= -	
k1	= 10	
k2	= 13	
l1	= 50	
l2 max.	= 6	
l3	= -	